



EST 1973

# TRI WHEEL FORKLIFT



## **BUILT AFRICA TOUGH**

Designed and Manufactured in South Africa



### ENGINE

- Make : Deutz F4L912
- Power : 46KW / 230NM @ 1600RPM
- RPM : Governed @ 2000RPM
- Mounting : 6 Point Rubber Mounting
- Safety : Mechanical Shut Off

### ATTACHMENT

- Type : 3m 2 stage free lift mast
- Capacity : 3500kg @ 500mm
- Side Shift : N/A

### DRIVE PUMP

- Model : Poclair - PM50 Tandem
- Operator Control : Servo Foot Pedal Valve
- Displacement : 45cc Per Side
- Relief Valve : 350 Bar
- Charge Pump : Intergrated Gear Pump
- Charge Pressure : 25 Bar
- Drive Coupling : HD Guardex 65

### WHEELS

- Tyres Front : 17.5 x 25 L4
- Rim Front : 14-25 3 Piece
- Tyres Rear : 400/60 x 15.5 High Floatation
- Rear Rim : 13 x 15.5 Reinforced 1pc

### BRAKES

- Type : Multi Disc Spring Applied
- Park Brake Release: 18 Bar Hydraulic Pressure
- Service Brake : Hydrostatic Foot Pedal Control

### IMPLEMENT HYDRAULIC SYSTEM

- Pump Type : Gear Pump Driven
- Function Valve : Open Centre Valve with Port Relief

### HYDRAULIC & FUEL TANK

- Hydraulic Tank Type : Frame Tubing Integrated
- Hydraulic Tank Capacity : 145L (170 For System)
- Hydraulic Oil Cooling : Mechanical Engine Fitted
- Fuel Tank Type : Bolt Mounted on Frame
- Fuel Tank Capacity : 85L

### OPERATING MASS

- Front Unladen : 3180kg
- Rear Unladen : 2020kg
- Total Unladen : 5200kg

### WHEEL DRIVE SYSTEM

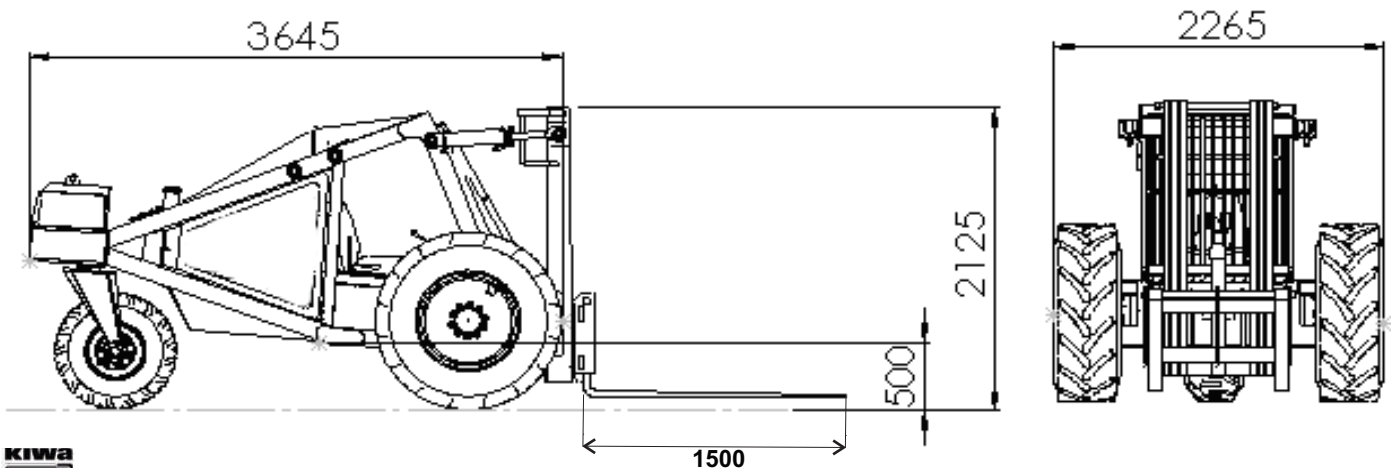
- Drive Motor Make : Poclair MSE18 2800cc
- Wheel Torque : 13300 NM per Wheel

### CABIN STANDARD

- Type : Open - No doors
- Protection : HD removable front guard
- Seat Belt : Suspended Lap Belt; 4 Point Harness Optional

### OPTION: CABIN AIR CONDITIONED

- Type : Sealed-Frame Intergrated
- HVAC System : 12V Fan, Engine Belt Driven Air Con Compressor
- Seat Belt : Suspended Lap Belt; 4 Point Harness Optional
- Windows : Glazed Windscreen With Wiper, Glazed Operator Door Windows
- Protection : HD Removable Windscreen Guard; Removable Operator Door Window Guards



**DESMOND EQUIPMENT**

PORT SHEPSTONE HEAD OFFICE  
 Tel: 039 685 4100 | Fax: 039 685 4476 | E-mail: dezzi@venturenet.co.za  
 PO Box 111 Port Shepstone 4240, South Africa

Dimensions are approximate

DEALER