

# DEZZI

## MG80T MOTOR GRADER



# BUILT AFRICA TOUGH

Designed and Manufactured in South Africa





**BUILT AFRICA  
TOUGH**

**Axles**

Front : Desmond pivoting, steering axle  
Rear : ITL PD 90

**Steering**

- Fully hydraulic orbital controlled steering with double acting cylinder
- Full flow filtration
- Turning radius : 8.2m
- Axle oscillation angle : 18 degrees either side

**Tyres**

Front : 10.5 x 16"  
Rear : 600/65R34  
1800 x 25 (Optional)

**Electrics**

Voltage : 12 Volt  
Battery : 1 x 12 Volt sealed type  
Alternator : 12 Volt / 55 Amp

**Brakes**

Type : Inboard wet-sealed disc brakes on rear wheels  
Park Brake : Mechanically applied disc brake on drive line

**Engine**

Type : JCB  
Model : 444 TC Turbocharged  
Capacity : 4.4 Liters  
Power : 75kW @ 2200 RPM  
Torque : 425 Nm @ 1300 RPM

**Transmission**

Type : ITL  
Model : PS 720  
Gearing : Constant mesh. Full power shift with modulation  
Gears : Forward - 4  
Reverse - 4  
Speed : 40Km/H  
Torque Converter : Single phase 3 element.

**Hydraulic System**

Oil Capacity : 60 Liters  
Pumps : Fixed displacement gear driven  
Working Pressure : 1600 Psi (11 MPa)  
Full flow filtration

**Service Capacities**

Cooling system : 32 Litres  
Engine Crankcase : 16 Litres  
Rear Axle Differential : 16 Litres  
Transmission : 15 Litres  
Diesel Tank : 70 Litres  
Planetaries : 5 Litres  
Hydraulic System : 60 Litres  
Planetary : 2,5 Litres each end

**Operational Weights**

Front Axle : 2400 kg  
Rear Axle : 4940 kg  
Total : 7340 kg

**Blade Data**

Length : 3050mm  
Height : 490mm (including cutting edge)  
Thickness : 16mm  
Circle Rotation : 45 degrees either side  
Blade lift : 280mm  
Blade dig : 250mm  
Bank Slope Angle : 17 degrees either side

**Scarifier Data**

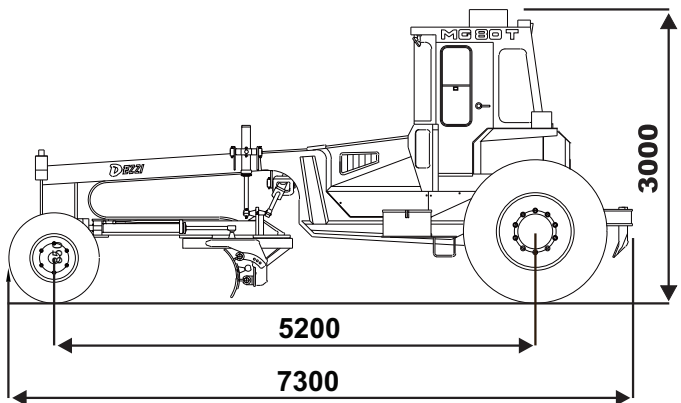
Scarifier width : 1600mm  
Scarifier dig depth : 350mm



**DESMOND  
EQUIPMENT**

**PORT SHEPSTONE HEAD OFFICE**  
Tel: 039 685 4100 | Fax: 039 685 4476 | E-mail:  
dezzi@venturenet.co.za  
PO Box 111 Port Shepstone 4240, South Africa

DEALER



MACHINE WIDTH : 2400mm

Dimensions are approximate

Desmond Equipment S.A. reserves the right to modify specifications without notice.