

DEZZI CMI

BACKHOE 70 LOADER



BUILT AFRICA TOUGH

Designed and Manufactured in South Africa

Axles

- Front : ZF - Ease of operation with Hydrostatic steering system even under high load conditions. Limited Slip differential. 20° total oscillation on front axle. 52° steering angle for perfect maneuverability.
- Rear : ZF - High input torque with outboard planetary design. Electro-hydraulic operated differential 100% locking acts on rear axle. self adjusting high torque internal wet multi disc service brake.

Steering

- Steering Type - 2 Wheel
- Power Steering - Hydrostatic

Tyres

	883	885
Front 4WD:	12.5/80-18	14.5/20
Rear 4WD :	16.9-28	16.9-28

Electrics

- Battery : 12 Volt / 120 Amp
 Starter : 3kW

Brakes

- 2 wheel / 4 wheel : 2 wheel
 Service Brake : Hydraulic wet multi disc
 Park Brake : Mechanical control on rear axle

Cab Features

- Specially designed ROPs/FOPs cab provides perfect operating comfort, excellent visibility and reliability
- Full opening of rear window & side windows and partial and full opening of the doors provide superior fresh air circulation in the cab, tinted safety glass improves visibility and sun visor protects operator against sunlight and ensures clear vision.
- Radio/CD Player as standard
- Operator fan

Engine

	TIER II	TIER III
Type :	Perkins	
Model :	1104C-44TA	1104D-44TA
Displacement:	4.4 Liters	
Power :	100hp / 74.5kW	
Torque :	408 Nm @ 2200RPM	410Nm @ 2200RPM

Operating Weights

883	885
7800 - 8750 Kg	8000 - 8950 Kg

Transmission

- Type : ZF
 Model : Powershift
 Gears : Forward - 4
 Reverse - 4
 Speed (4th Gear) : 40Km/H
 Transmission Disconnect (883): With brake system
 Transmission Disconnect (885): With push button and brake system

Hydraulic System

- Hydraulic speed control system
- Bolt type cylinder design with all sealed pins and bushes for easy maintenance and long life
- Cushioned Swing & Boom provides maximum operator comfort for fast and smooth trenching.
- Hydraulic & Transmission oil coolers

- System Type : O-Centre
 Hydraulic Pump : Tandem Gear
 Max Flow : 90 + 64L/min
 Max Pressure : 220 bar

Hydraulic Controls

- Backhoe Controls (883) : Mechanical Control Levers
 Backhoe Controls (885) : Hydraulic Joystick Control
 Loader Controls (883) : Mechanical Control Levers
 Loader Controls (885) : Hydraulic Joystick Control

Service Capacities

- Cooling system : 25 Liters
 Engine Oil : 8.4 Liters
 Rear Axle Differential : 16 Liters
 Front Axle Differential : 7.8 Liters
 Hydraulic Tank : 75 Liters
 Hydraulic System : 130 Liters
 Diesel Tank : 140 Liters

Backhoe Attachment

- Max bucket tearout retract : 59,1 kN

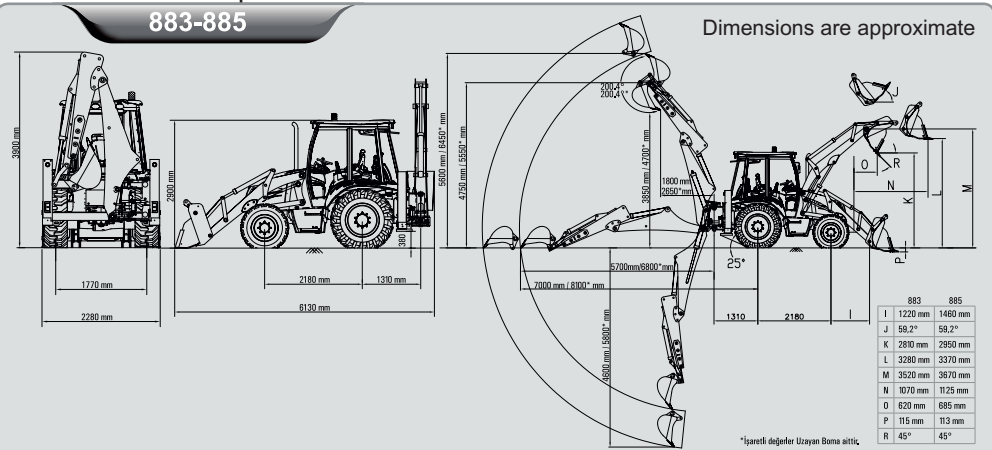
Dipper Tearout

- Retracted : 31,8 kN
 Extended : 22,4 kN

Loader Attachment

	883	885
Bucket Capacity	1.1m ³	1.1m ³
Breakout Force Lift	80.5 kN	56.1 kN
Breakout Force Shovel Max	81.5 kN	81.6 kN
Shovel Width	2280 mm	2280mm
Lift to Full Height	3725 kg	3440 kg

883-885



DESMOND EQUIPMENT

PORT SHEPSTONE HEAD OFFICE

Tel: 039 685 4100 | Fax: 039 685 4476

E-mail: dezzi@venturenet.co.za

PO Box 111 Port Shepstone 4240, South Africa

Web: www.dezzi.co.za